

## TANGO XP Fridge Module, UL



---

**Ref871093**  
**(NFRIGOXPPB)**

Side milk refrigerator with exclusive pump system, with 9L capacity container for TANGO XP

NFRIGOXPPB

UNIC

# TANGO XP Fridge Module, UL

## Main Features

- Supply, heating and foaming of fresh milk for creating delicious hot or cold drinks with milk or frothed milk.
- It includes an exclusive pump system that make possible the preparation of hot and cold milk based beverages.
- Efficient insulation all around.

## Construction

- Internally rounded corners for easy cleaning.
- Built-in cooling unit.
- Digital display to set temperature, control self-defrosting, milk level warning.
- Cup tray on top provides large storage.

## Optional Accessories

- KIT OF RAISED 3" FEET PNC 871041

# TANGO XP Fridge Module, UL

## Electric

Supply voltage: 110 V/1 ph/60 Hz

Electrical power, max: 0.08 kW

Plug type: USA NEMA 5-20P

## Key Information:

External dimensions, Height: 20 5/16" (516 mm)

Net weight: 57 lbs (26 kg)

Shipping width: 19 11/16" (500 mm)

Shipping depth: 29 1/2" (750 mm)

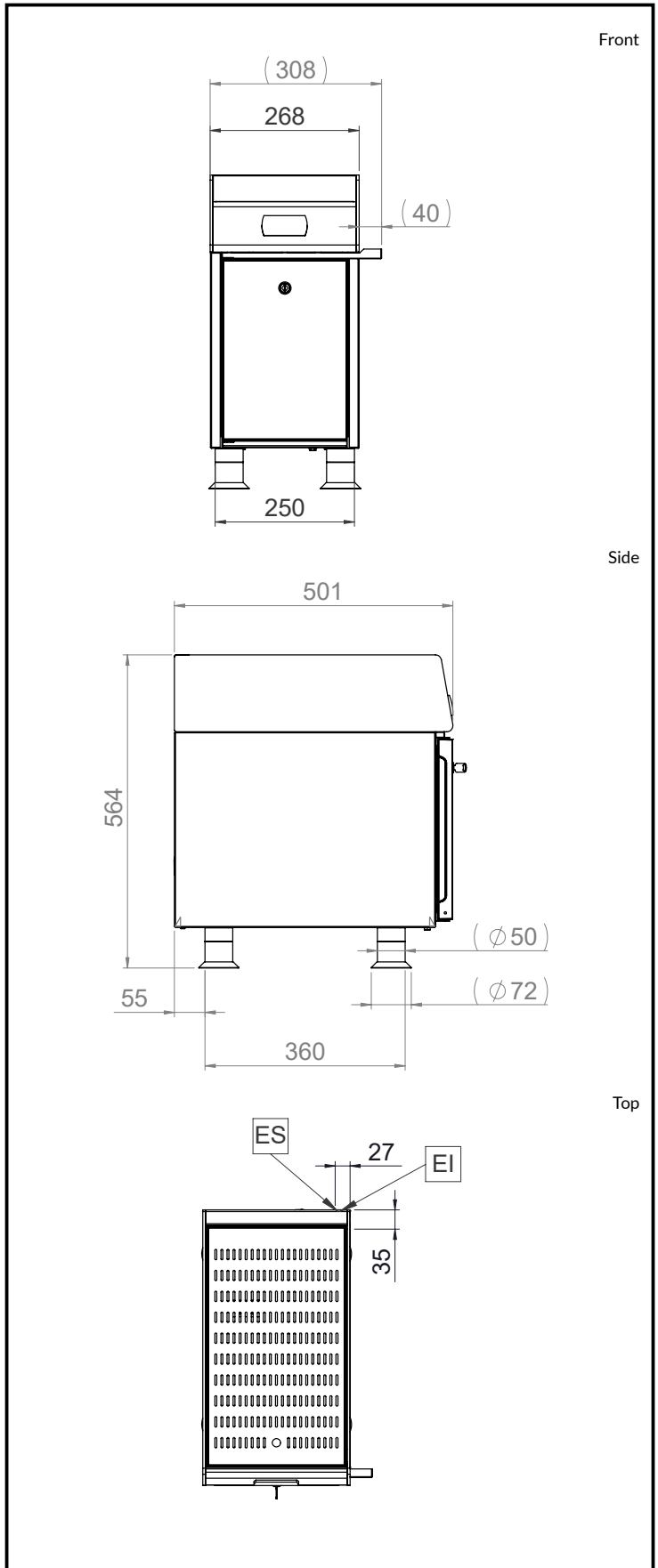
Shipping height: 33 1/16" (840 mm)

Shipping weight: 82 lbs (37 kg)

Shipping volume: 0.3 m<sup>3</sup>

Sustainability

Current consumption: 0.8 Amps



The company reserves the right to make modifications to the products without prior notice. All information correct at time of printing.

2025.09.06

Part of  Electrolux Professional Group

**UNIC**